

# DEFENDER AURUM PRO SAFES

DOUBLE DUTY FORTIFIED DEFENSE



The Defender Aurum PRO is the solution to customers' needs against all possible burglary attacks. Reinforced with enhanced barrier materials developed by Godrej through rigorous research and development, it now offers excellent resistance to threats, including cutting, breaking, and drilling using all types of mechanical and electrical tools. The new single-piece wrap-around construction provides even more formidable strength. The zinc-plated bolted mechanism offers superior corrosion resistance.

## Features



### Strong And Seamless Body

A fully welded, multi-corner bend construction without a single rivet, and a one-piece wrap-around door construction.



### Dual Control High Precision Locks

8-lever dual-control high-precision locks, protected with a unique drill-defeat shield in the door.



### Two-Step Door and Frame Construction

For higher resistance against fire and burglary.



### Motion Sensor Intelli-light

Enables clear visibility of the contents inside the safe.



### Automatic Relocking Device

This device sets the safe into a deadlock with two relockers and an additional beta relocker to protect against precision attacks on the lock.



### Lift-Off Hinges Door Construction

Facilitates the removal of the door for ease of transportation and servicing.



### Ergonomic Round Handle

For Superior Grip



### Double Duty Barrier

Armored with Double-Duty Barrier (DDB) material in the door and the body.



### Luxurious Imatting

Leatherette matting for a Luxurious Interior Finish

\*This product is ready for additional safety integration with SmartFog

## AVAILABLE MODELS

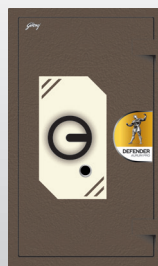
26 Defender Aurum PRO



31 Defender Aurum PRO



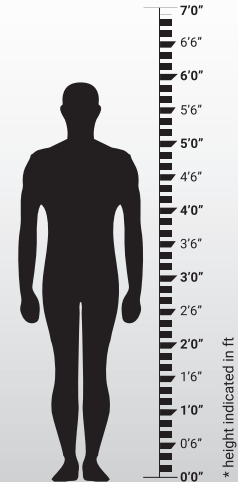
41 Defender Aurum PRO



49 Defender Aurum PRO



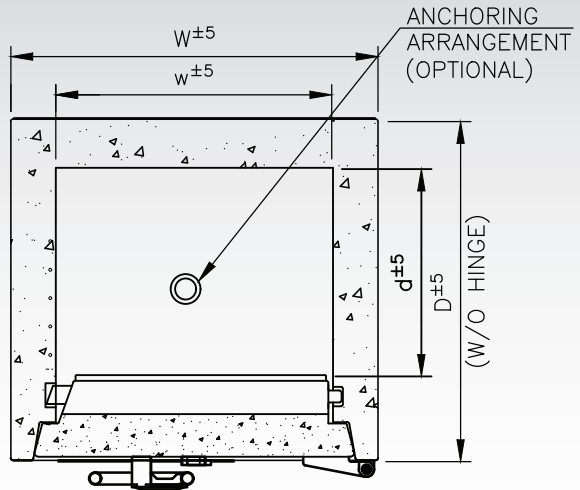
61 Defender Aurum PRO



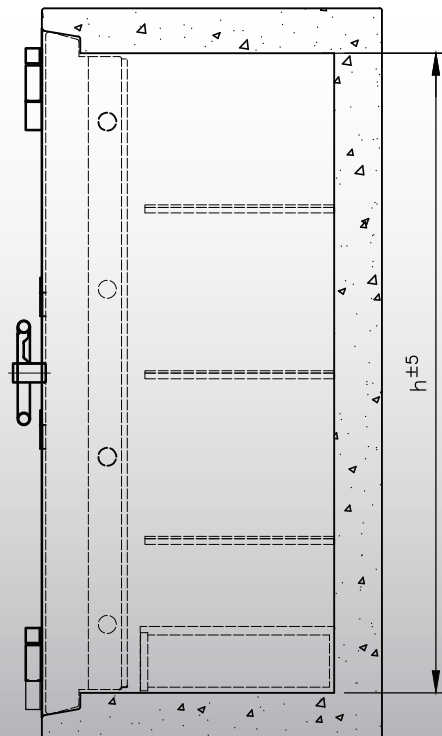
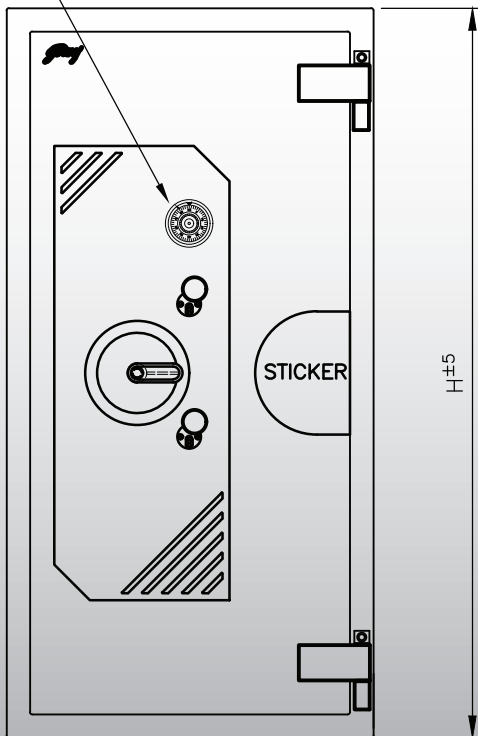
## TL 10 X 6 - FR 30

Model No.	External Dimensions (cm)			Internal Dimensions (cm)			Volume	Weight
	Height	Width	Depth	Height	Width	Depth	In Litre	In kg
26 Defender Aurum PRO	65.2	52.1	57	46.2	33.1	28.8	44	*
31 Defender Aurum PRO	77.8	62.3	66	58.8	43.3	37.8	96	*
41 Defender Aurum PRO	103.2	62.3	66	84.2	43.3	37.8	137	*
49 Defender Aurum PRO	123.6	77.5	72	104.6	58.5	43.6	266	*
61 Defender Aurum PRO	154.1	77.5	72	135.1	58.5	43.6	344	1385

\* as per orders



OPTIONAL LOCK  
3WHEEL COMBINATION LOCK  
OR ELECTRONIC LOCK  
OR BIOMETRIC LOCK



**Important:**

- Please check the load carrying capacity of the floor from structural engineers, if the safe is to be kept on the first floor or above. Place the safe preferably on a beam.
- All dimensions are in cm. Tolerance: Weight:  $\pm 10\%$ . Dimensions:  $\pm 5\%$

BURGLARY RESISTANT

**SAFES**



Unyielding and unmatched security for your  
valuables is provided by a strong  
double-walled construction that offers  
resistance against both burglary and fire